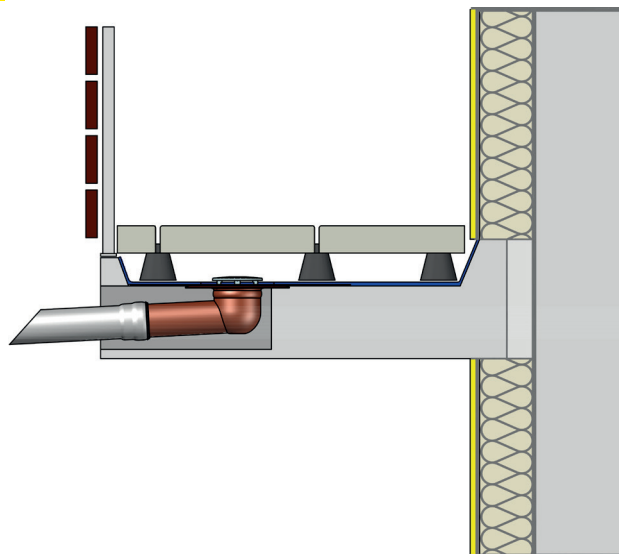


## Specification sheet LX 945

### Balcony drainage system Series E, horizontal runoff



<b>Main drainage</b>	
<b>Gravity flow</b>	
<b>Silent</b>	
<b>Discharge rate:</b>	<b>2,07 l/s</b>
<b>Water height:</b>	<b>35 mm</b>
<b>Roof penetration:</b>	<b>-</b>
<b>Diameter:</b>	<b>DN 70</b>
<b>LX-Number:</b>	<b>LX 945</b>
<b>Weir height:</b>	<b>-</b>
<b>Drain:</b>	<b>ventilated</b>
<b>Downpipe:</b>	<b>without downpipe</b>
<b>Downpipe height:</b>	<b>-</b>
<b>Drainage:</b>	<b>into ground pipe</b>
<b>Flange form:</b>	<b>connecting sleeve</b>

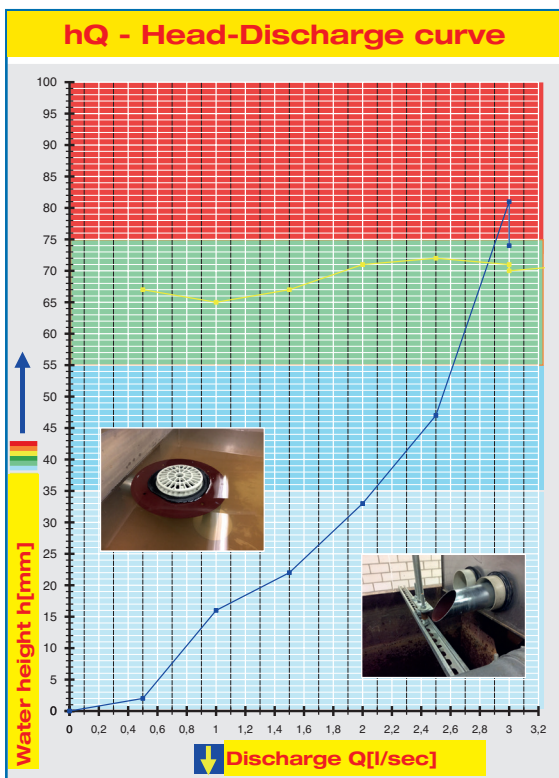
#### LX 945 Piece list

1 x Art.-No. choose drain on page two!

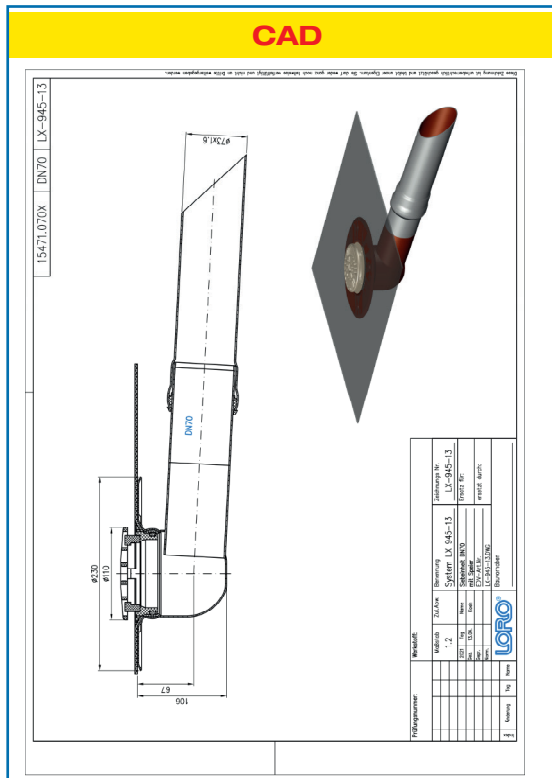
1 x Art.-No. 15199.070X, LORO-X Spout

1 x Art.-No. 00911.070X, LORO-X Sealing element

1 x Art.-No. 00986.000X, LORO-X Lubricant



Systemleistung



Systemform

<b>Water height</b>	mm	5	10	15	20	25	30	<b>35</b>	40	45	50	55	60	65	70	75	80
<b>Discharge</b>	l/s	0,6	0,79	0,95	1,33	1,63	1,86	<b>2,07</b>	2,24	2,43	2,5	2,62	2,69	2,77	2,84	2,91	2,98
<b>Silent</b>																	

## Choose drain for piece list on page one!

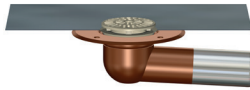
### without thermal insulation

#### LX945-12X

Drain Art.-Nr. 15471.070X

with connecting sleeve,  
**Series E**

Weight: 2,5 kg

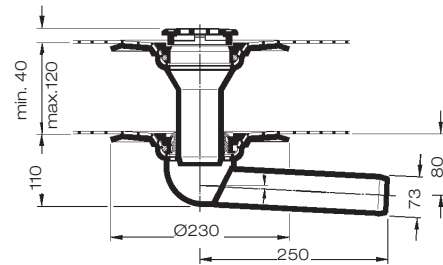
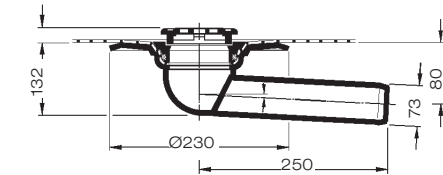
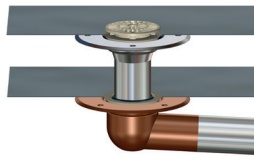


#### LX945-13X

Drain Art.-Nr. 15481.0750X

with connecting sleeve,  
**Series E**

Weight: 4,4 kg



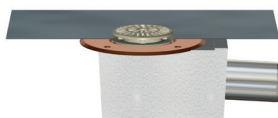
### with thermal insulation

#### LX945-14X

Drain Art.-Nr. 15571.070X

with connecting sleeve,  
**Series E**

Weight: 2,7 kg



#### LX945-15X

Drain Art.-Nr. 15581.070X

with connecting sleeve,  
**Series E**

Weight: 4,6 kg

